

STEPPING MOTORS TYPE

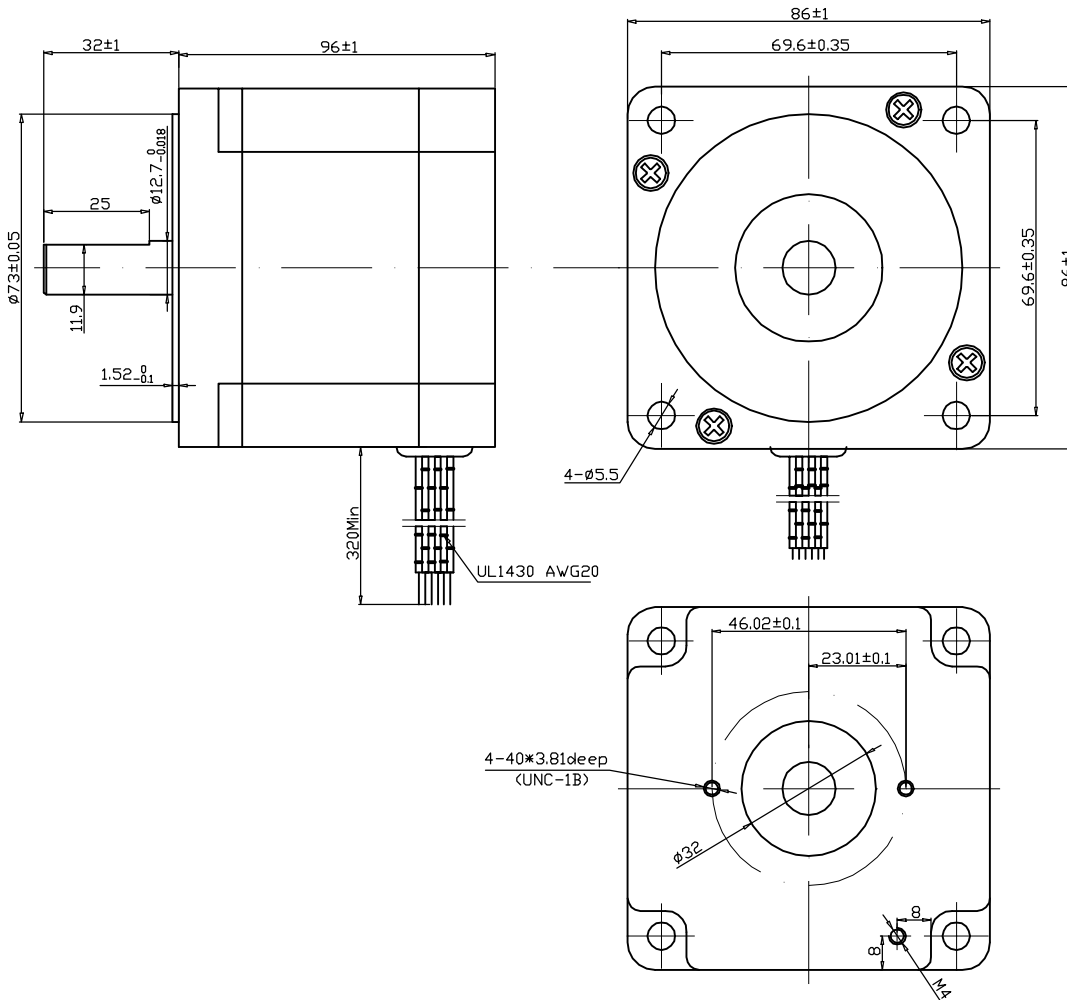
86HS95DE062

SPECIFICATIONS

PHASE	STEP ANGLE	CONNECTION STYLE	CURRENT	RESISTANCE	INDUCTANCE	HOLDING TORQUE	CLASS OF INSULATION	WEIGHT
	DEG/STEP		A	ohms±10%	mH±20%	N.m		Kg
2	1.8	parallel	6.1	0.35	3.3	6.9	B	2.9
2		series	3.05	1.4	13.2	6.9		
4		unipolar	4.3	0.7	3.3	4.6		

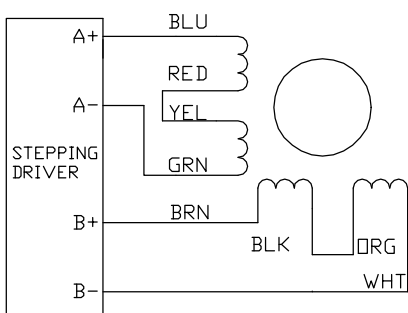
DIMENSION:

Units:mm

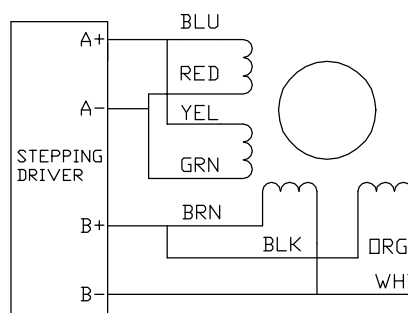


WIRING DIAGRAM

Bipolar Series



Bipolar Parallel



Unipolar

