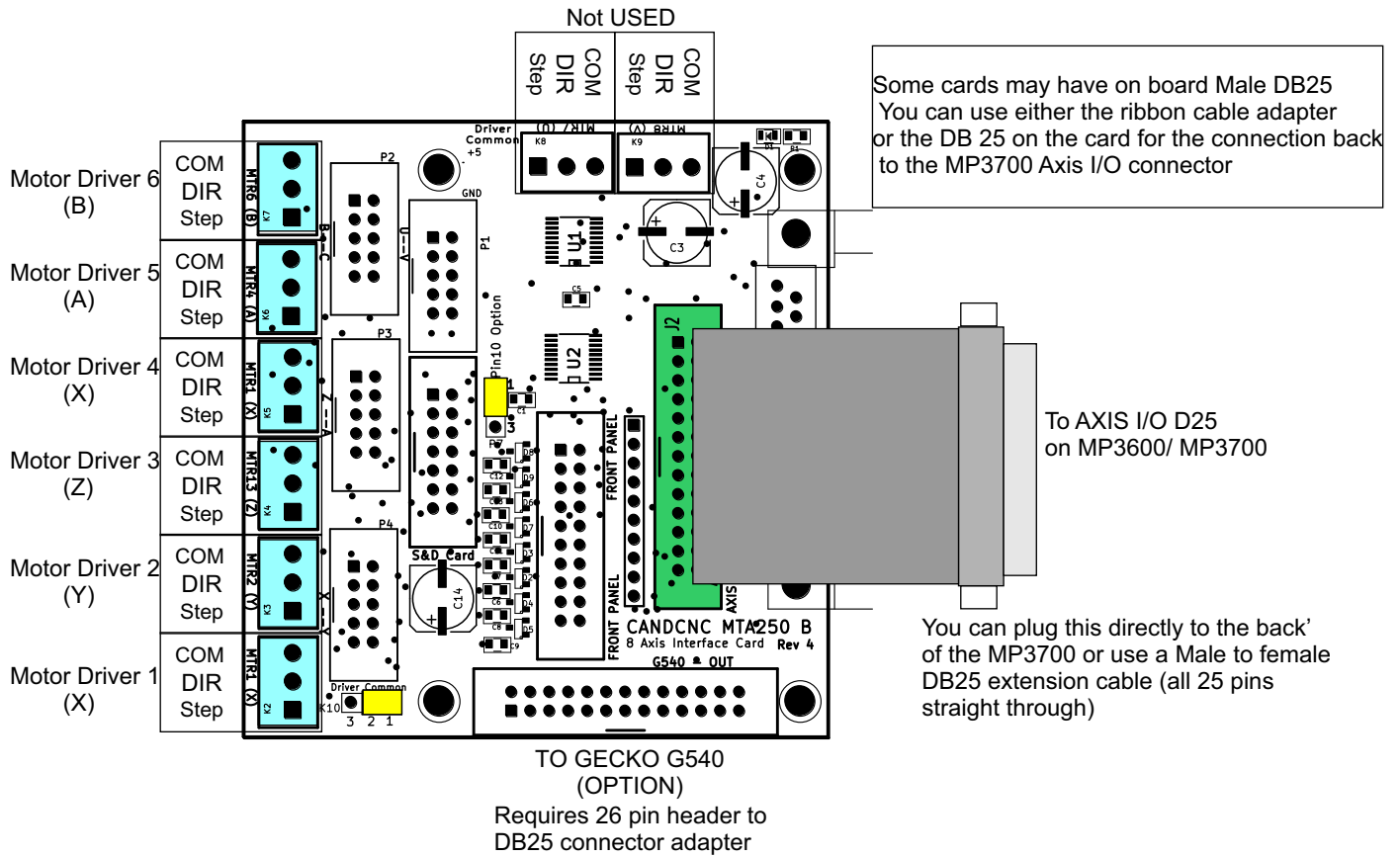


CandCNC

MTA250 Interface Card used with MP3700



Each Motor Driver Port (3pin screw terminal) has a buffered STEP and DIRECTION signal (may be called other names) and a COMMON terminal. See your motor driver information sheet to determine the proper connection. This will drive Common Ground drivers only. If your drivers have input optos tie all of the cathodes to Common.

MTA250 will drive any motor driver with discreet Step & Dir that uses 3V to 5V Logic level inputs or optos. Drive can be up to 20ma source or sink per signal

Other connectors not used with MP3700 series controls.